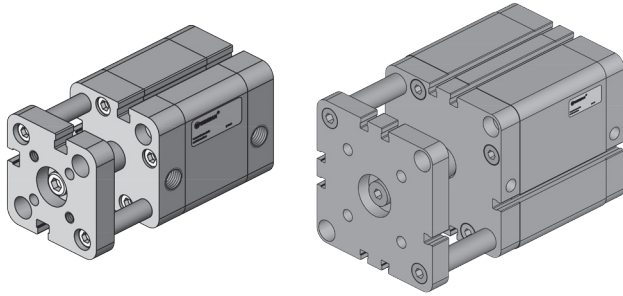


## WACC-G - Serie Nicht Drehende Kompaktylinder/ WACC-G - Series Non-Rotating Compact Cylinders

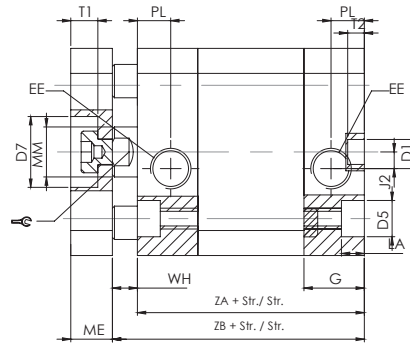
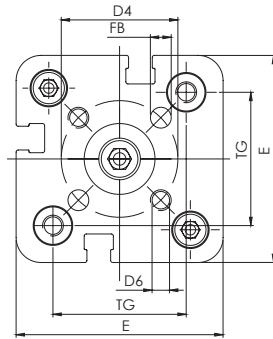


### Spezifikation/ Specification

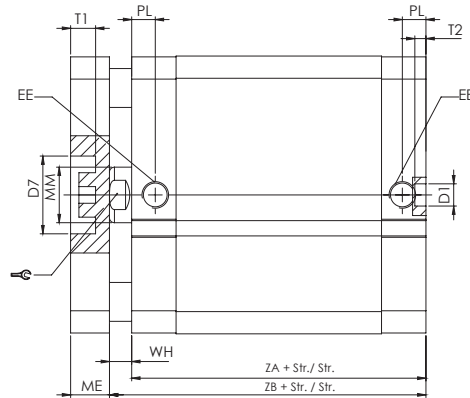
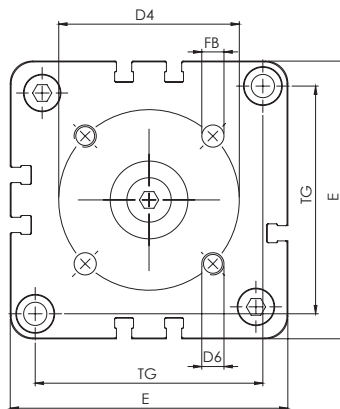
Bohrungsgröße/Bore Size	20	25	32	40	50	63	80	100
Arbeitstyp/Acting Type	Doppeltwirkend/Double Acting							
Fluid/Fluid	Luft (40µm gefiltert) /Air (40µm filtered)							
Betriebsdruck/Op. Pressure	< 10 Bar							
Temperatur/Temperature	0 ~ +80 °C							
Magnetisch/Magnetic	Standard / Standard							
Gleitführung/Cush. Type	Stoßstange/Bumper							
Geschwindigkeitsbereich/Speed Range	< 500 mm/s							
Sensorschalter/Sensor Switches	WT-40							

### Technische Zeichnung/Technical Drawing

WACC-G.020/050



WACC-G.063/100



Ø mm	D4 ±0.1	D5 Ø	D6	D7 Ø h9	E	EE	FB Ø h8	G	J2	LA +0.2	ME	MM Ø h8	PL +0.2	h13	TG	WH +1.3	ZA ±0.3	ZB
20	17	-	M4	11	36	M5	4	13.0	-	-	8	10	8.0	8	22	4.5	38.0	50.5
25	22	-	M5	14	40	M5	5	14.5	-	-	8	10	8.0	8	22	4.5	38.0	50.5
32	28	9.0	M5	17	50	G1/8"	5	15.0	4	5.5	10	12	8.0	10	32	6.0	44.5	60.5
40	33	9.0	M5	17	58	G1/8"	5	15.0	3	5.5	10	12	8.0	10	42	6.5	45.5	62.0
50	42	10.5	M6	22	67	G1/8"	6	15.0	-	6.5	12	16	8.0	13	50	7.5	45.5	65.5
63	50	13.5	M6	22	80	G1/8"	6	15.0	-	8.5	12	16	8.0	13	62	7.5	50.0	69.5
80	65	13.5	M8	28	100	G1/8"	8	16.0	-	8.5	14	20	8.5	17	82	8.0	56.0	78.0
100	80	13.5	M8	30	124	G1/4"	10	195	-	8.5	14	25	10.5	22	103	10.0	66.5	90.5

### Bestellnummer/Ordering Code

Model/Model	Diameter DIA.	Hub Stroke
WACC-G	032	0050
Nicht rotierender Kompakt Non-Rotating Compact	Kolben (mm) Piston Dia	Hub(mm) Stroke